

**Pegasus Xtreme 9000 POS**

# **15" All-in-one POS Terminal**

**The POS more than  
you can ever ask**



© 2019 Pegasus, Inc.

# Contents

---

- Outlook Appearance
- Features
- Dimension
- Spec

# Outlook Appearance – Front & Rear Views

---



Front View



Rear View

# Outlook Appearance - Views

---



# Outlook Appearance - Views

---



Front Folded Perspective View



Side Folded View



Rear Folded Perspective View  
(Two-Tone)

# Features

---

- Multiple technological platforms (Baytrail, Haswelli3/i5, Apollo Lake motherboards)
- Fan-less design (Up to Intel Core-i5 desktop CPU)
- IP65 (Front) & Spill proof (Rear)
- High brightness LED LCD panel (350 nits)
- True-Flat Projected Capacitive Touch or Resistive Touch
- Rich I/O and rich peripheral options (COM\*3, USB\*6, RJ11\*1, LAN\*1, VGA\*1, MIC/SPK\*1,...)
- Die-casting rear housing and stand for optimum thermal dissipation and stability
- Cable cover to help preventing unwanted tempering
- Wide tilt angle customer display for easy cabling and comfortable viewing
- Easy HDD access
- Discreet yet easy to access power button
- Standard 75x75 & 100x100 VESA holes for pole-, wall-, and stand- mountings

# Features - Optional

---

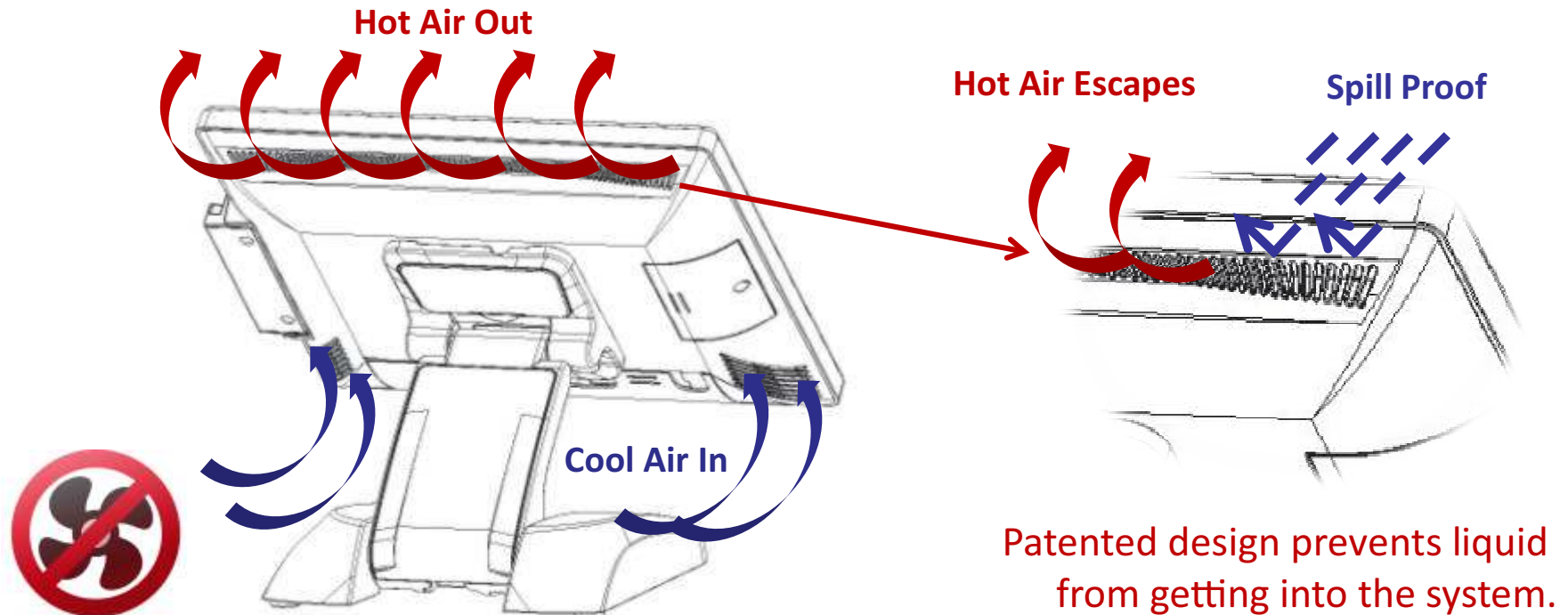
## 1. Rich peripherals:

- MSR (Single)
- MSR + FP Reader / iButton / RFID Combo
- RFID (Single)
- EMV (MSR + Smart Card Reader) + FP Reader / iButton Combo / RFID Combo
- 9.7" Second Display,
- VFD 2x20 Customer Display

## 2. Dual stereo speakers

# Features - Fan-less & spill-proof

---



Patented fan-less design with ventilation holes allows heat to escape

\* Xtreme-9000 accommodates Intel Core-i5 Desktop CPU (with SSD) up to 40°C (104°F), running fan-less at 100% full loading in still air environment.



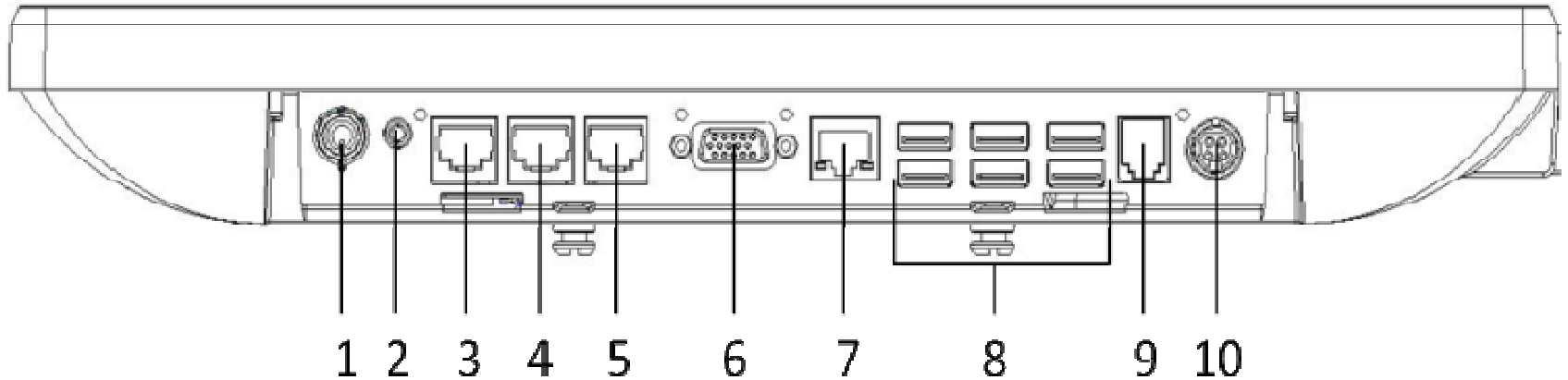
# Features - Front IP65

---



IP 65 (Front) water & dust proof for harsh environment.

# Features - Rich I/O



Item No.	Description
1	Power Button
2	Spkr-Out & Mic-In Combo Jack
3	COM1 (RJ45)
4	COM2 (RJ45)
5	COM3 (RJ45)
6	VGA
7	LAN
8	USB 2.0 x 6 for M22/M62 USB 2.0 x 4 & USB 3.0 x 2 for M63
9	Cash Drawer
10	DC-In (12V)

# Features - Rich Peripheral Options

---

- 2nd Display : 9.7" (1024 x 768)



- Customer Display (2x20)



# Features - Rich Peripheral Options

---



MSR  
(Single)



RFID  
(Single)



MSR + Fingerprint  
(COMBO)



MSR + RFID  
(COMBO)



MSR + iButton  
(COMBO)



EMV (MSR + Smart Card)  
Single or COMBO with:  
FingerPrint / iButton / RFID

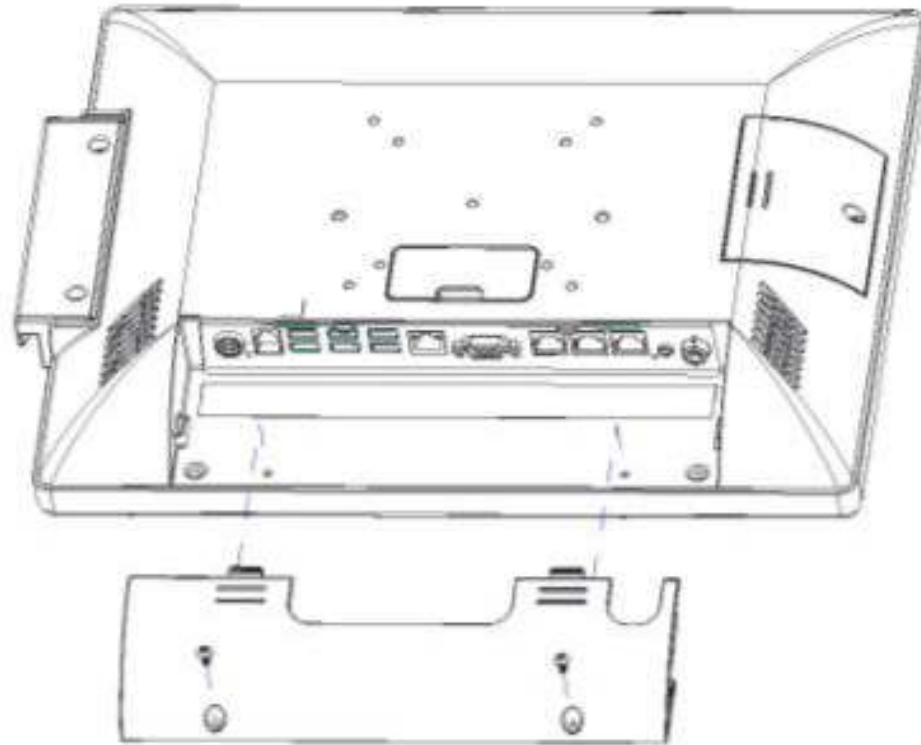
# Features - Options (Colored Rear Cover)

---



# Features - Cable Cover

---



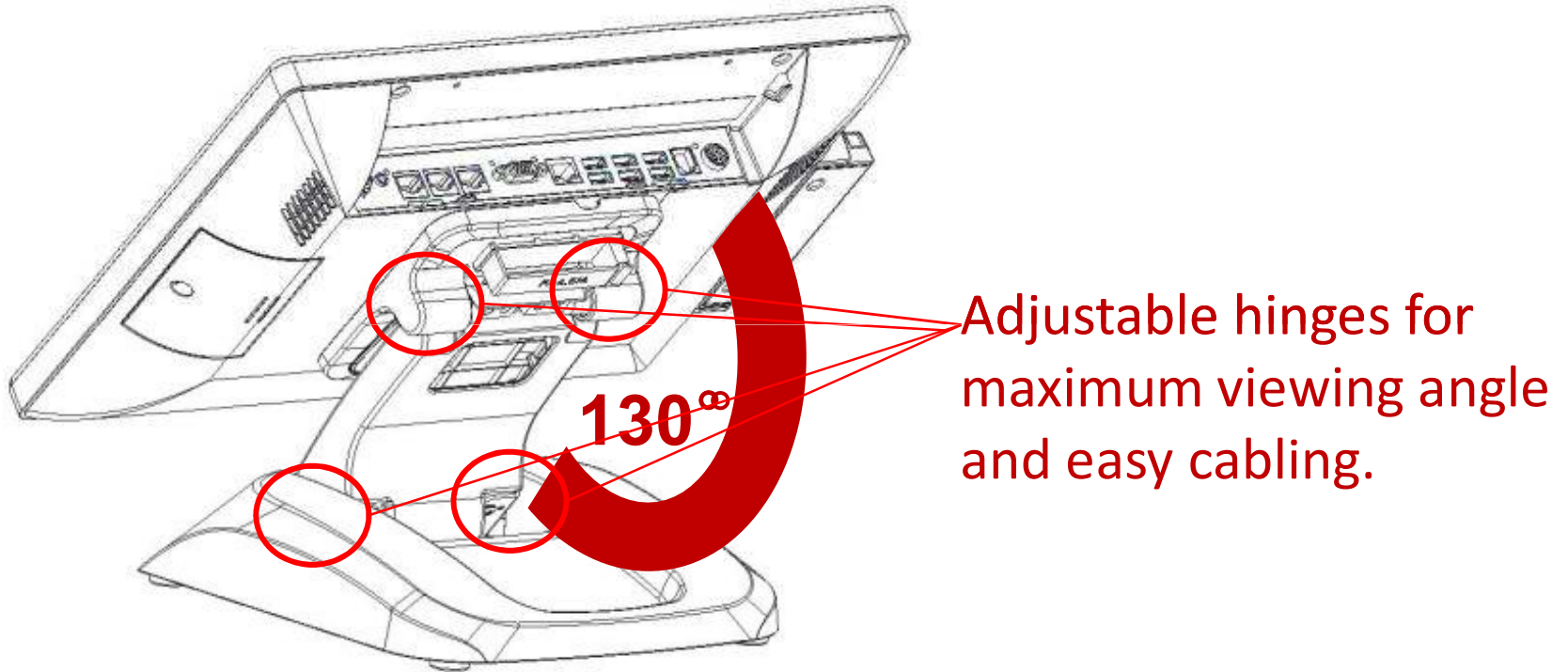
Cable Cover prevents unauthorized tampering.

Screws provided for added security.

---

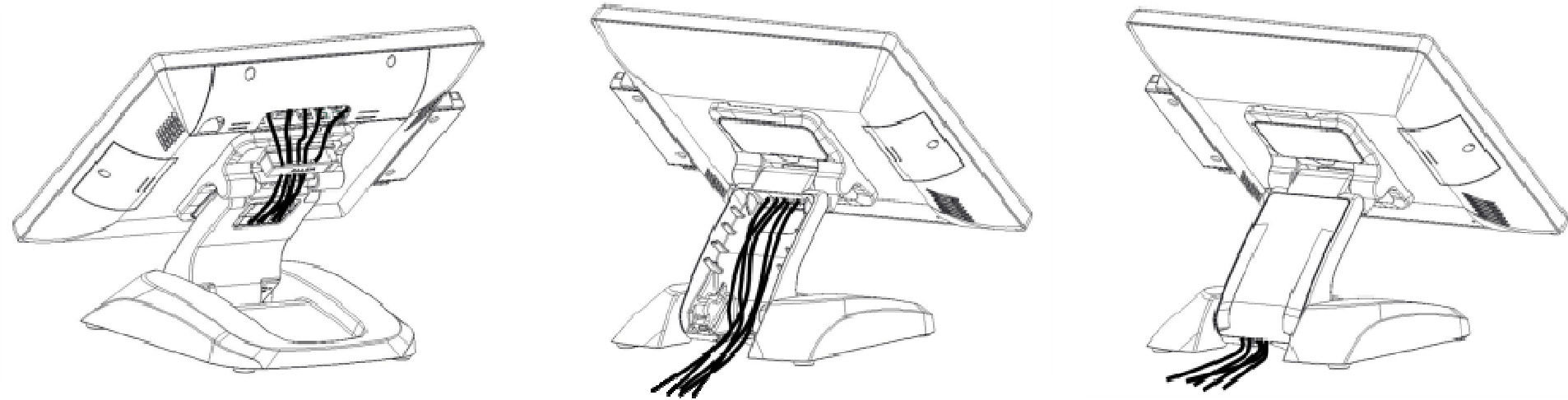
# Features - Wide Tilting Angle

---



# Features - Easy Cable Management

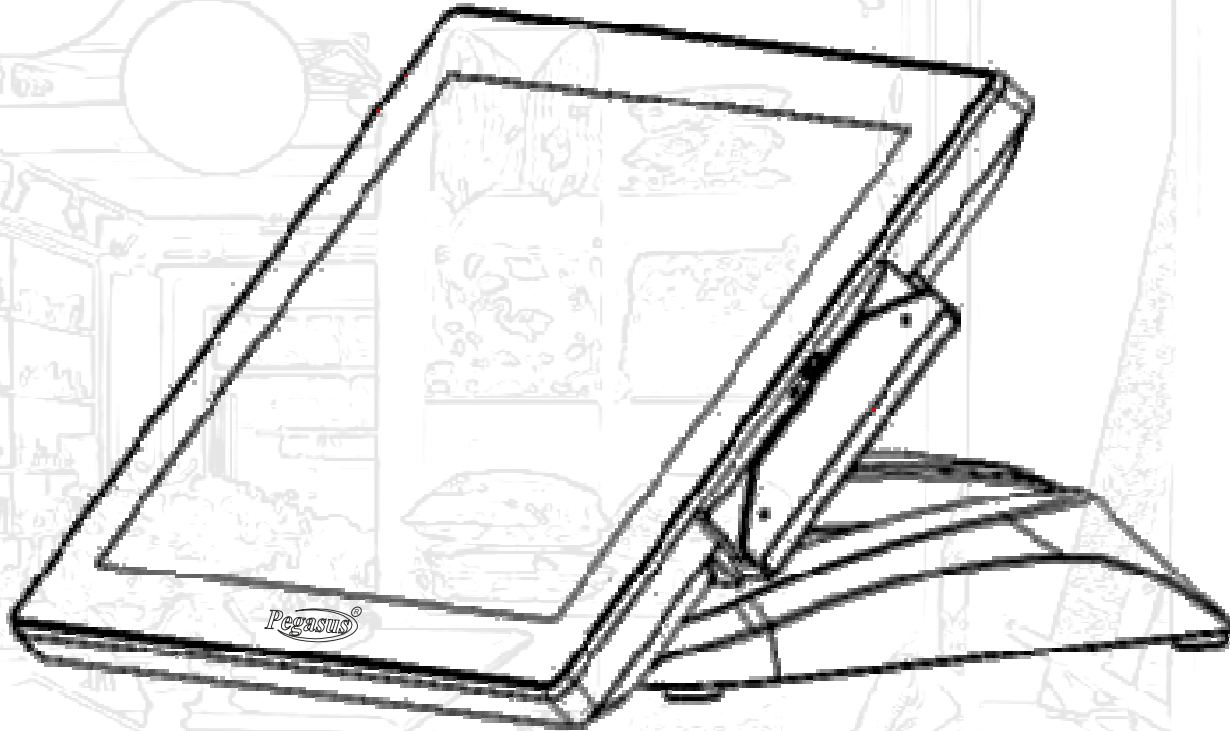
---



Cable cover, cable clip and stand cover manage massive cables



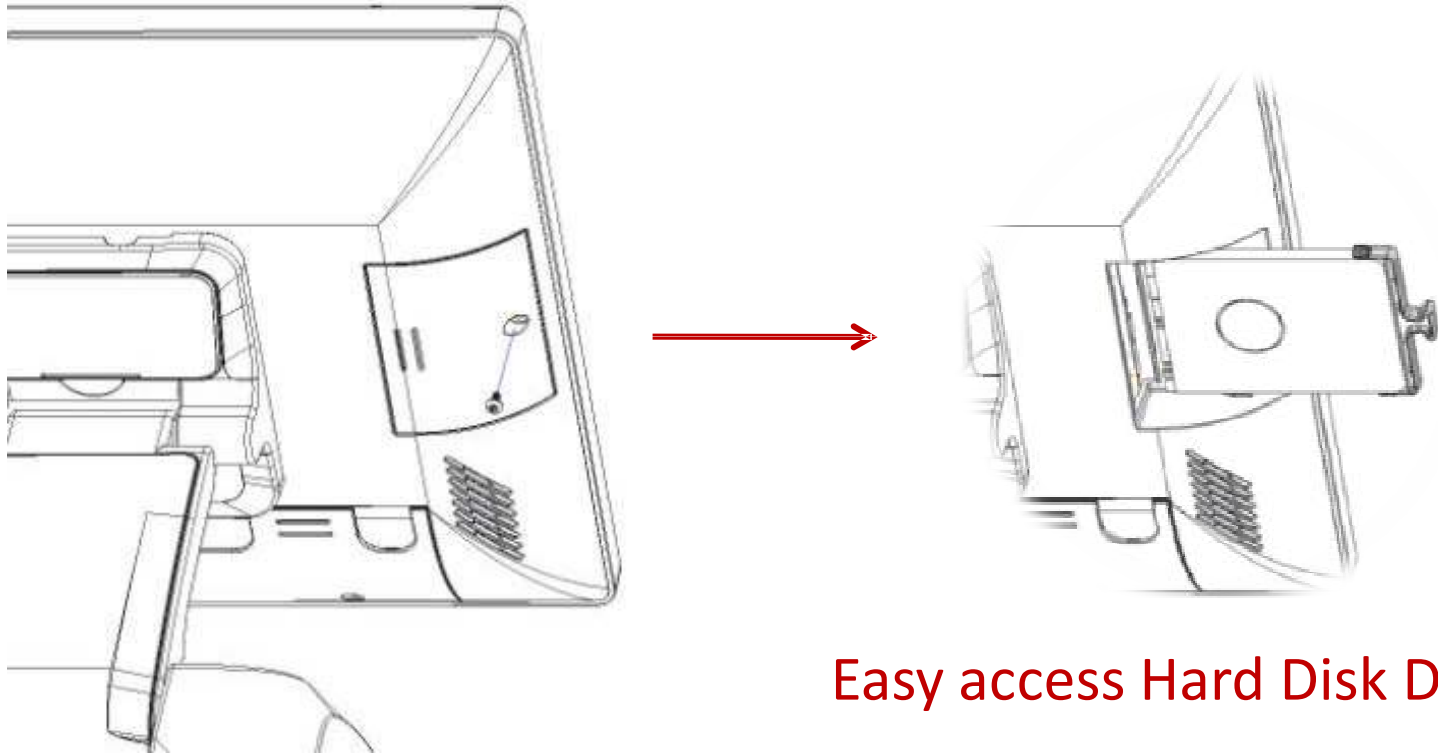
# Features - Wedge POS convertible



Making Xtreme-9000 low key is easy. Its foldability quickly turns the terminal into a **Wedge POS** so customer can focus on displayed products rather than on the POS terminal .

# Features - Quick & Easy HDD access

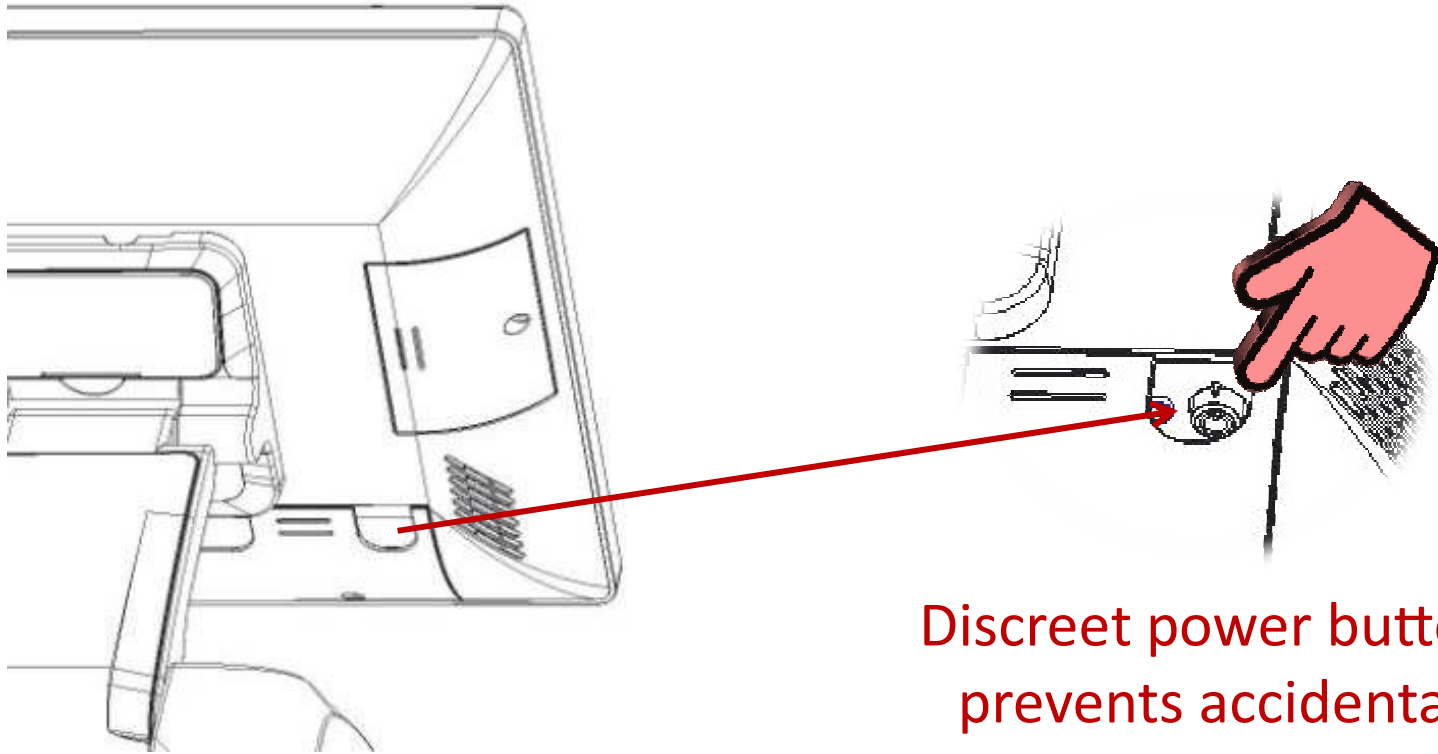
---



Easy access Hard Disk Door.

# Features - Discreet yet easy access Powers

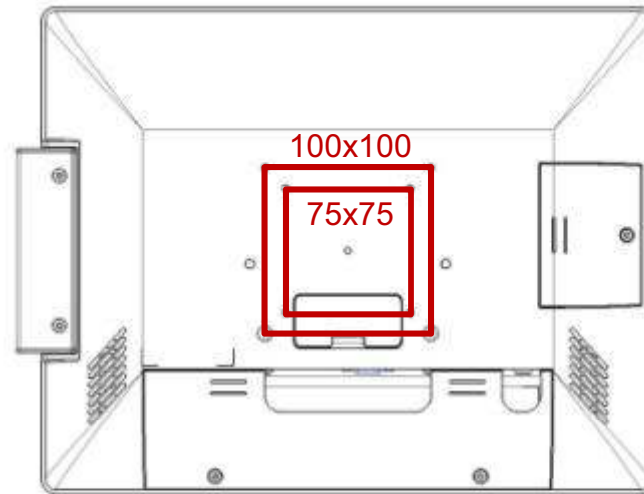
---



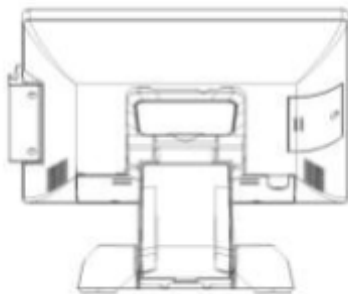
Discreet power button  
prevents accidental  
power offs.

# Features - Mounting options

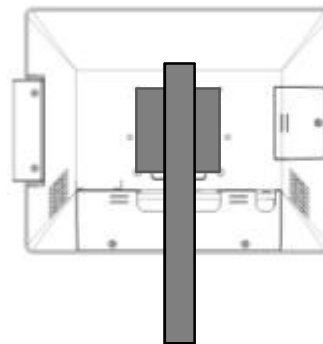
---



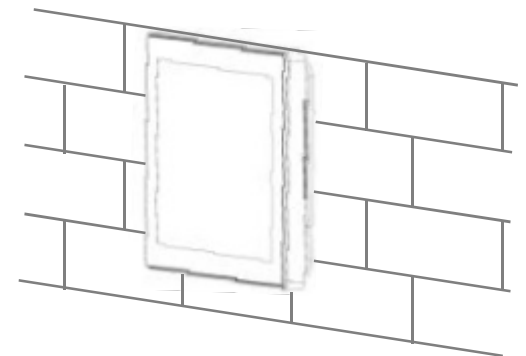
Standard VESA:  
100x100mm &  
75x75mm



Stand Mount



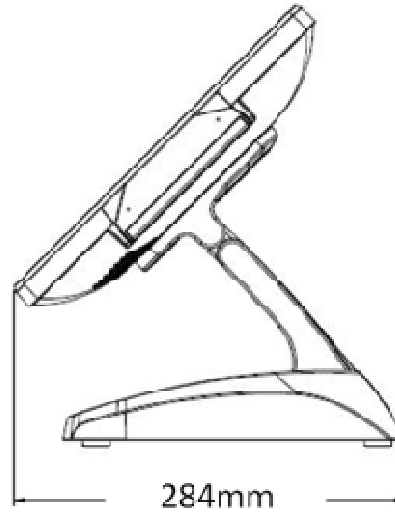
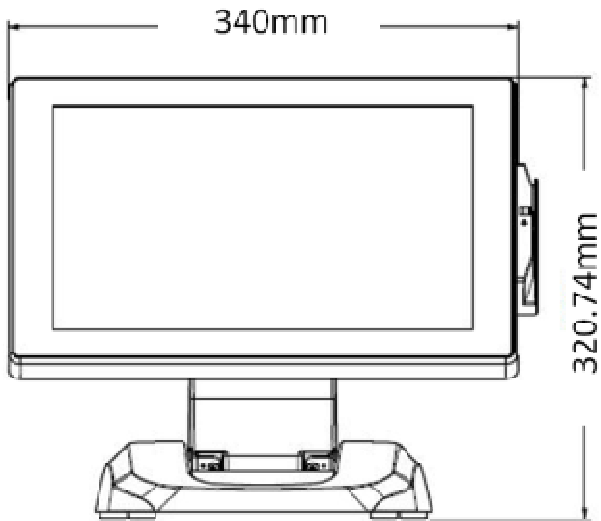
Pole Mount



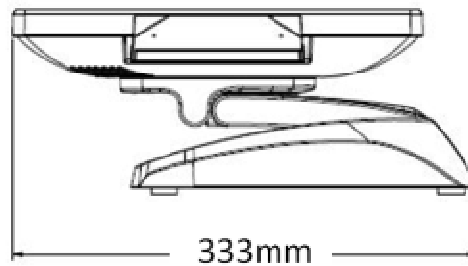
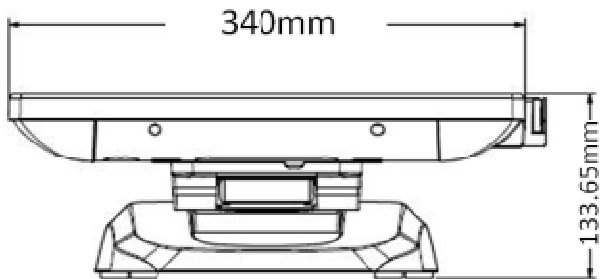
Wall Mount

# Features - Foldability & Portability

---



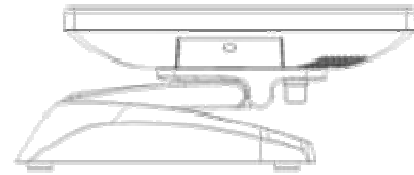
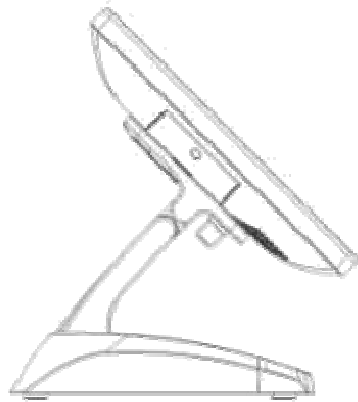
Upright position



Folded position

# Features - Foldability & Portability

---



**VS.**



Foldable design makes the terminal more compact and cost effective for shipping.

# Features – Desktop vs. Mobile CPU

## Advantages of choosing desktop CPU over mobile CPU:

### CPU PassMark

Core i5 4570TE	4,008
Core i3 4330TE	3,251
Core i3 4120U	3,050
Core i3 3217U	2,289

### CPU Clock Speed

Core i5 4570TE	2.7 GHz
Core i3 4330TE	2.4 GHz
Core i3 4120U	2.0 GHz
Core i3 3217U	1.8 GHz

### GPU Clock Frequency

Core i5 4570TE	350 MHz
Core i3 4330TE	350 MHz
Core i3 4120U	200 MHz
Core i3 3217U	350 MHz

### L3 Cache

Core i5 4570TE	4 MB
Core i3 4330TE	4 MB
Core i3 4120U	3 MB
Core i3 3217U	3 MB

Core i5 4570TE

Intel Desktop CPU - Used in **Pegasus Xtreme-9000** fan-less model

Core i3 4330TE

Core i3 4120U

Intel Mobile CPU - Often used in other manufacturers' fan-less models

Core i3 3217U

1. <http://cpuboss.com/cpus/Intel-Core-i3-4330TE-vs-Intel-Core-i3-4120U>
2. [http://www.cpubenchmark.net/cpu\\_list.php](http://www.cpubenchmark.net/cpu_list.php)
3. <http://ark.intel.com/zh-tw/compare/81017,77778,49490>

# Specifications

Pegasus model		Xtreme-9000		
CPU Support		Intel Bay Trail- D J1900 2G	Intel Haswell Pentium G3320TE 2.3G Core i3-4330TE 2.4G Core i5-4570TE 2.7G	Intel Apollo Lake Celeron N3350 2.4G Pentium N4200 2.5G
System Memory		DDR3L SO-DIMM x 2, 2GB (Max. 8GB)	DDR3L SO-DIMM x 2, 4GB (Max. 16GB)	DDR3L SO-DIMM x 2, 4GB (Max. 16GB)
Storage	HDD		320GB 2.5" x 1	
	SSD		SSD x 1 (Optional)	
LCD	Size		15" TFT LED LCD Panel	
	Brightness		350cd/m2 (Typ.)	
	Resolution		1024 x 768	
Touch Screen			True-Flat Projected Capacitive Touch	
Tilt Angle			0 ~ 120 degree	
External I/O Port		6 x USB 2.0 Ports	4 x USB 2.0 & 2 x USB 3.0 Ports	
			3 x Serial port (RJ45); (COM1~3: 0/5/12V by BIOS)	
			1 x VGA (Power enable by BIOS; +12V)	
			1 x Cash Drawer Port (RJ11; +12V)	
			1 x LAN (10/100/1000)	
			1 x Mic-In/Speaker-out (Combo Jack)	
			1 x DC In	
			1 x Power Switch	
Speaker			2 x 2W speaker (Optional)	
Power		External power adapter, 60W/12V (Lock type)	External power adapter, 80W/12V (Lock type)	External power adapter, 60W/12V (Lock type)
EMC Safety			CE, FCC Class A	
Environment	Operating Temperature		0°C ~ 35°C	
	Storage Temperature		-20°C ~ 60°C	
	Operating Humidity		20% - 85% RH non condensing	
	Storage Humidity		20% - 85% RH non condensing	
OS Support		Windows® 7 Professional / Windows® Embedded POSReady 7 / Windows® Embedded 8.1 Industry / Windows® 10 IoT / <b>Linux per request</b>		Windows® 10 IoT / <b>Linux per request</b>
Dimension (W x D x H)			340 x 284 x 320 cm	
Weight (N.W./G.W.)			6 kgs(N.W.)/7 kgs(G.W.)	
Wall Mount			VESA 100 x 100mm	
	MSR (USB)	MSR / MSR + Finger Print (Combo) / MSR + iButton (Combo) / MSR + RFID (Combo)		
	Customer display (USB)	Flush mount VFD display, 2x20 characters		
	2nd Display	9.7" (1024 x 768)		





**Thank you!**

**Your trusted partner in POS  
applications**

